

Signal Beacon - LED

Series 6162



www.stahl.de



06147E00

- > Versions
 - rotating mirror beacon
 - rotating beacon
 - beacon with double flash (9 + 5 J)
 - flashing beacon (15 J)
 - LED-continuous beacon
 - LED-rotating beacon
- > Seawater resistant aluminium enclosure with glass dome
- > Integrated Ex e connection chamber
- > Glass dome available in: signal yellow, red, orange and blue resp. clear
- > Available with
 - 20 W / 35 W halogen bulb or as
 - LED-continuous beacon / LED-rotating beacon



The R. STAHL Signal Beacon Series 6162 is approved for use in Ex Zones 1, 2, 21 and 22. All models feature an integrated "increased safety" wiring space. The rotating mirror beacons and the rotating beacons have an integrated wear resistant friction gear which creates 180 light signals per minute. The wear-free LED beacons ensure an extremely high service life of up to 50,000 hours due to the innovative LED technology. In addition to the LED-continuous beacon, a LED-rotating beacon is also available. This LED-rotating beacon is maintenance-free thanks to the absence of any moving components. The robust, seawater resistant aluminium enclosure ensures IP66 protection for all models.

Zone	ATEX / IECEx					
	0	1	2	20	21	22
For use in		x	x		x	x





WebCode 6162A

Signal Beacon - LED

Series 6162



Selection Table

Version	Rated operational voltage	Lamp wattage	Temperature class	Max. surface temperature	Max. ambient temperature	Order number	Art. no.	Weight
								kg
 Rotating mirror beacon 06128E00	24 V AC / DC, 50 ... 60 Hz	20 W	T4 T4	105 °C 115 °C	40 °C 50 °C	6162/17-61- .11	120872	5.600
		35 W	T3 T3	150 °C 160 °C	40 °C 50 °C	6162/17-62- .11	120863	5.600
	115 V AC, 50 ... 60 Hz	35 W	T3 T3	150 °C 160 °C	40 °C 50 °C	6162/17-32- .11	120866	5.600
	230 V AC, 50 ... 60 Hz	20 W	T4 T4	105 °C 115 °C	40 °C 50 °C	6162/17-11- .11	120871	5.600
35 W		T3 T3	150 °C 160 °C	40 °C 50 °C	6162/17-12- .11	120869	5.600	
 Rotating beacon 05759E00	24 V AC / DC, 50 ... 60 Hz	20 W	T6 T5	80 °C 90 °C	40 °C 50 °C	6162/18-61- .11	120874	5.600
		35 W	T4 T4	105 °C 115 °C	40 °C 50 °C	6162/18-62- .11	120864	5.600
	115 V AC, 50 ... 60 Hz	35 W	T4 T4	105 °C 115 °C	40 °C 50 °C	6162/18-32- .11	120867	5.600
	230 V AC, 50 ... 60 Hz	20 W	T6 T5	80 °C 90 °C	40 °C 50 °C	6162/18-11- .11	120873	5.600
35 W		T4 T4	105 °C 115 °C	40 °C 50 °C	6162/18-12- .11	120870	5.600	
 Beacon with double flash 05759E00	24 V DC	9 + 5 J	T5 T5	85 °C 95 °C	40 °C 50 °C	6162/16-53- .11	120861	5.600
	115 V AC, 50 ... 60 Hz	9 + 5 J	T5 T4	90 °C 100 °C	40 °C 50 °C	6162/16-23- .11	120865	5.600
	230 V AC, 50 ... 60 Hz	9 + 5 J	T5 T5	85 °C 95 °C	40 °C 50 °C	6162/16-13- .11	120868	5.600
 Flashing beacon 05759E00	24 V AC / DC (± 15 %), 50 ... 60 Hz	15 J	T6 T6	75 °C 75 °C	40 °C 50 °C	6162/15-64- .11	120877	5.600
	110 ... 127 V AC, 50 ... 60 Hz	15 J	T5 T4	95 °C 105 °C	40 °C 50 °C	6162/15-44- .11	120875	5.600
	230 ... 240 V AC, 50 ... 60 Hz	15 J	T6 T6	80 °C 80 °C	40 °C 50 °C	6162/15-74- .11	120876	5.600

Order Number Supplement

Colour of glass	signal yellow	6162/ -1 . .
	clear	6162/ -2 . .
	red	6162/ -3 . .
	blue	6162/ -4 . .
	orange	6162/ -6 . .

Note

The optical beacons are supplied without mounting accessories and wire guard. These must be ordered separately!







E5

Signal Beacon - LED

Series 6162



Selection Table

Version	Colour of glass	Rated operational voltage	Lamp wattage	Temperature class	Max. surface temperature	Max. ambient temperature	Order number	Art. no.	Weight
									kg
 LED-continuous beacon 12628E00	signal yellow	24 V DC	5 W	T6 T6 T5	70 °C 80 °C 90 °C	40 °C 50 °C 60 °C	6162/19-55-111	201879	5.300
		115 ... 230 V AC, 50 ... 60 Hz	5 W	T6 T6 T5	70 °C 80 °C 90 °C	40 °C 50 °C 60 °C	6162/19-95-111	201901	5.300
 LED-continuous beacon 12629E00	red	24 V DC	5 W	T6 T6 T5	70 °C 80 °C 90 °C	40 °C 50 °C 60 °C	6162/19-55-311	201880	5.300
		115 ... 230 V AC, 50 ... 60 Hz	5 W	T6 T6 T5	70 °C 80 °C 90 °C	40 °C 50 °C 60 °C	6162/19-95-311	219980	5.300
 LED-continuous beacon 12696E00	orange	24 V DC	5 W	T6 T6 T5	70 °C 80 °C 90 °C	40 °C 50 °C 60 °C	6162/19-55-611	203036	5.300
		115 ... 230 V AC, 50 ... 60 Hz	5 W	T6 T6 T5	70 °C 80 °C 90 °C	40 °C 50 °C 60 °C	6162/19-95-611	203037	5.300
 LED-rotating beacon 12628E00	signal yellow	24 V DC	3.6 W	T6 T6 T5	70 °C 80 °C 90 °C	40 °C 50 °C 60 °C	6162/18-55-111	219972	5.300
		115 ... 230 V AC, 50 ... 60 Hz	3.6 W	T6 T6 T5	70 °C 80 °C 90 °C	40 °C 50 °C 60 °C	6162/18-95-111	201903	5.300
 LED-rotating beacon 12629E00	red	24 V DC	3.6 W	T6 T6 T5	70 °C 80 °C 90 °C	40 °C 50 °C 60 °C	6162/18-55-311	219959	5.300
		115 ... 230 V AC, 50 ... 60 Hz	3.6 W	T6 T6 T5	70 °C 80 °C 90 °C	40 °C 50 °C 60 °C	6162/18-95-311	201904	5.300
 LED-rotating beacon 12696E00	orange	24 V DC	3.6 W	T6 T6 T5	70 °C 80 °C 90 °C	40 °C 50 °C 60 °C	6162/18-55-611	203034	5.300
		115 ... 230 V AC, 50 ... 60 Hz	3.6 W	T6 T6 T5	70 °C 80 °C 90 °C	40 °C 50 °C 60 °C	6162/18-95-611	203035	5.300
Note	The optical beacons are supplied without mounting accessories and wire guard. These must be ordered separately!								

Signal Beacon - LED

Series 6162



Explosion Protection

Global (IECEX)	
Gas and dust	IECEX PTB 06.0078 Ex d e IIC T3 ... T6 Gb* Ex tb IIIC T80 °C ... T160 °C Db*
Europe (ATEX)	
Gas and dust	PTB 06 ATEX 1037 ⊕ II 2 G Ex d e IIC T3 ... T6 Gb* ⊕ II 2 D Ex tb IIIC T80 °C ... T160 °C Db* * Temperature classes are dependent on lamp wattage (see selection table)
Certifications and certificates	
Certificates	IECEX, ATEX, Kazakhstan (TR), Russia (TR), Serbia (SRPS), Ukraine (TR), Belarus (TR)

Technical Data

Electrical data

Rated operational voltage | see selection table

Luminous characteristics

Lamp wattage	see selection table	
Rotation speed	rotating mirror beacon:	180 rpm
	rotating beacon:	60 rpm
Duty cycle	100 %	
Service life	rotating mirror beacon	5000 h (drive)
	rotating beacon	5000 h (drive)
	beacon with double flash	4x10 ⁶ flashes
	flashing beacon	4x10 ⁶ flashes
	LED-rotating beacon	max. 50 000 h
	LED-continuous beacon	max. 50 000 h

Ambient conditions

Ambient temperature | see selection table


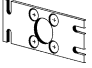
Mechanical data

Degree of protection	IP66
Protection class	I (acc. to IEC/EN 60598)
Material	
Enclosure	aluminium powder coated, seawater resistant
Light dome	glass, resistant to thermal shocks
Wire guard	stainless steel
Seal	NBR O-ring

Mounting / Installation

Cable entries	1 x M20 x 1.5 (∅ 4 ... 13 mm) 1 x M20 x 1.5 stopping plug metal cable gland on request
Connection cross-section L1, N, PE	2.5 mm ² finely-stranded 4 mm ² solid

Accessories and Spare Parts


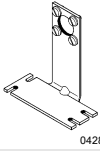



Designation	Figure	Description	Art. no.	Weight kg
Halogen lamp G6.35	 05003E00	20 W / 12 V 2 pc	120933	0.001
		20 W / 24 V 2 pc	120934	0.001
		35 W / 12 V 2 pc	120935	0.001
		35 W / 24 V 2 pc	120936	0.001
Mounting plate	 04279E00	material: stainless steel, includes mounting screws, for wall or floor mounting	120821	0.170

E5

Signal Beacon - LED Series 6162

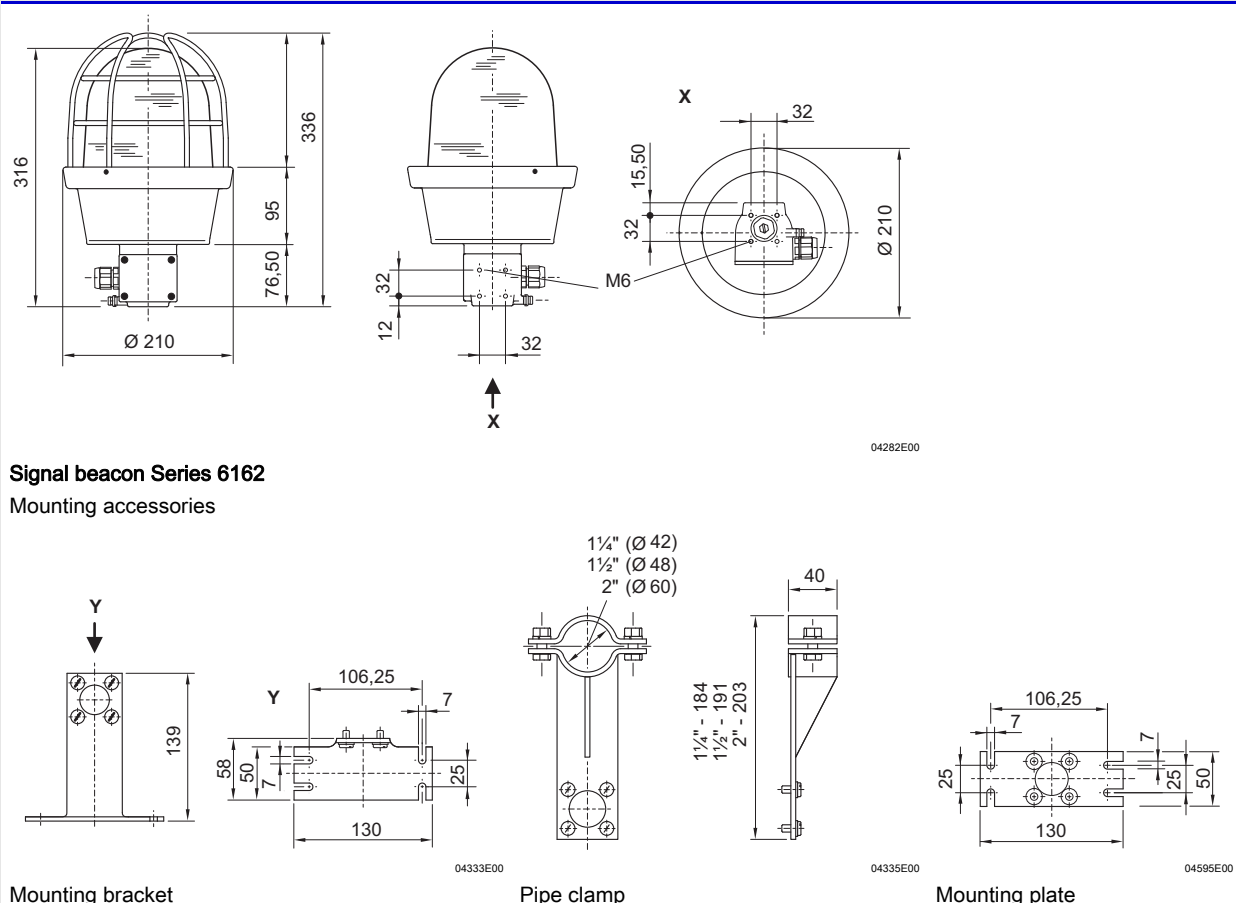


Accessories and Spare Parts

Designation	Figure	Description	Art. no.	Weight kg
Pipe clamp		R 2"	120921	0.600
		R 1 1/2"	120920	0.560
		R 1 1/4"	120919	0.520
Mounting bracket		material: stainless steel, includes mounting screws	120930	0.450
Wire guard		material: stainless steel, includes mounting screws	120917	0.540
Cable gland		8161/7-M20-1304 4 ... 13 mm ²	50 pieces (delivery lot ^{*)}	0.012
Stopping plug		8290/3-M20	1 piece	143522
		8290/3-M20	100 pieces	143543

^{*)} Purchase order quantity in [pieces], the delivery quantity is automatically rounded to the delivery lot.

Dimensional Drawings (All Dimensions in mm) - Subject to Alterations



Signal beacon Series 6162
Mounting accessories

Wire guard (04282E00): Dimensions include overall height of 316 mm, mounting height of 336 mm, base diameter of Ø 210 mm, and mounting hole offset of 76.50 mm.

Mounting bracket (04333E00): Dimensions include a height of 139 mm and a width of 106.25 mm.

Pipe clamp (04335E00): Dimensions include a height of 40 mm and a width of 106.25 mm. It is compatible with pipe diameters of 1 1/4" (Ø 42), 1 1/2" (Ø 48), and 2" (Ø 60).

Mounting plate (04595E00): Dimensions include a height of 50 mm and a width of 130 mm.

We reserve the right to make alterations to the technical data, dimensions, weights, designs and products available without notice. The illustrations cannot be considered binding.