

# Floodlight

## Series 6521/4



www.stahl.de



09678E00

- > The enclosure made of stainless steel V4A, V2A or powder coated sheet steel is available
- > Broad or narrow beam reflectors and/or asymmetrical lamp fitting
- > Series 6521/4 explosion protected floodlight as spotlight with asymmetrical flat optics reflector
- > It can be selected in 3 sizes that match its power

E2



Series 6521/4 explosion protected floodlight for use in explosive gas atmospheres of Zone 2 as well as in areas with combustible dust of Zone 21 and Zone 22.

| Zone       | ATEX / IECEx |   |   |    |    |    |
|------------|--------------|---|---|----|----|----|
|            | 0            | 1 | 2 | 20 | 21 | 22 |
| For use in |              |   | x |    | x  | x  |

**WebCode 6521B**

# Floodlight

## Series 6521/4

Selection Table

| Version           | Enclosure                 | Lamp capacity |                     |       | Temperature class at Ta = |       |                                   | Order number               | Weight |
|-------------------|---------------------------|---------------|---------------------|-------|---------------------------|-------|-----------------------------------|----------------------------|--------|
|                   |                           | Lampholder    | Lamps <sup>1)</sup> | Power | 40 °C                     | 50 °C | T <sub>o max.</sub> at Ta = 40 °C |                            |        |
| Floodlight size 1 | Sheet steel powder coated | E27           | QT                  | 150 W | T3                        | T3    | 156 °C                            | 6521/4111-115-023-1-230-50 | 8.293  |
|                   |                           |               | QT                  | 250 W | T2                        | T2    | 202 °C                            | 6521/4111-125-023-1-230-50 | 9.493  |
|                   |                           |               | HIT                 | 70 W  | T4                        | T3    | 121 °C                            | 6521/4111-207-123-1-230-50 | 9.493  |
|                   |                           |               | HIT                 | 100 W | T3                        | T3    | 140 °C                            | 6521/4111-210-123-1-230-50 | 10.893 |
|                   |                           |               | HIT                 | 150 W | T3                        | --    | 165 °C                            | 6521/4111-215-123-1-230-50 | 11.963 |
|                   |                           |               | HST                 | 70 W  | T4                        | T3    | 121 °C                            | 6521/4111-307-123-1-230-50 | 9.493  |
|                   | Stainless steel V2A       | E27           | QT                  | 150 W | T3                        | T3    | 156 °C                            | 6521/4111-115-023-3-230-50 | 8.130  |
|                   |                           |               |                     | 250 W | T2                        | T2    | 202 °C                            | 6521/4111-125-023-3-230-50 | 8.130  |
|                   |                           |               | HIT                 | 70 W  | T4                        | T3    | 121 °C                            | 6521/4111-207-123-3-230-50 | 9.330  |
|                   |                           |               |                     | 100 W | T3                        | T3    | 140 °C                            | 6521/4111-210-123-3-230-50 | 10.730 |
|                   |                           |               |                     | 150 W | T3                        | --    | 165 °C                            | 6521/4111-215-123-3-230-50 | 11.800 |
|                   |                           |               | HST                 | 70 W  | T4                        | T3    | 121 °C                            | 6521/4111-307-123-3-230-50 | 9.330  |
|                   | Stainless steel V4A       | E27           | QT                  | 150 W | T3                        | T3    | 156 °C                            | 6521/4111-115-023-4-230-50 | 8.130  |
|                   |                           |               |                     | 250 W | T2                        | T2    | 202 °C                            | 6521/4111-125-023-4-230-50 | 8.130  |
|                   |                           |               | HIT                 | 70 W  | T4                        | T3    | 121 °C                            | 6521/4111-207-123-4-230-50 | 9.330  |
|                   |                           |               |                     | 100 W | T3                        | T3    | 140 °C                            | 6521/4111-210-123-4-230-50 | 10.730 |
|                   |                           |               |                     | 150 W | T3                        | --    | 165 °C                            | 6521/4111-215-123-4-230-50 | 11.800 |
|                   |                           |               | HST                 | 70 W  | T4                        | T3    | 121 °C                            | 6521/4111-307-123-4-230-50 | 9.330  |
| Floodlight size 2 | Sheet steel powder coated | E40           | QT                  | 500 W | T3                        | T3    | 180 °C                            | 6521/4212-150-023-1-230-50 | 15.570 |
|                   |                           |               | HST                 | 150 W | T4                        | T3    | 130 °C                            | 6521/4212-315-123-1-230-50 | 17.780 |
|                   |                           |               | HIT/HST             | 250 W | T3                        | T3    | 156 °C                            | 6521/4212-625-123-1-230-50 | 19.280 |
|                   | Stainless steel V2A       | E40           | QT                  | 500 W | T3                        | T3    | 180 °C                            | 6521/4212-150-023-3-230-50 | 15.300 |
|                   |                           |               | HST                 | 150 W | T4                        | T3    | 130 °C                            | 6521/4212-315-123-3-230-50 | 17.500 |
|                   |                           |               | HIT/HST             | 250 W | T3                        | T3    | 156 °C                            | 6521/4212-625-123-3-230-50 | 19.000 |
|                   | Stainless steel V4A       | E40           | QT                  | 500 W | T3                        | T3    | 180 °C                            | 6521/4212-150-023-4-230-50 | 15.300 |
|                   |                           |               | HST                 | 150 W | T4                        | T3    | 130 °C                            | 6521/4212-315-123-4-230-50 | 17.500 |
|                   |                           |               | HIT/HST             | 250 W | T3                        | T3    | 156 °C                            | 6521/4212-625-123-4-230-50 | 19.000 |

# Floodlight

## Series 6521/4



Selection Table

| Version           | Enclosure                 | Lamp capacity |                     |                     | Temperature class at Ta = |       |                                   | Order number               | Weight                     |        |
|-------------------|---------------------------|---------------|---------------------|---------------------|---------------------------|-------|-----------------------------------|----------------------------|----------------------------|--------|
|                   |                           | Lampholder    | Lamps <sup>1)</sup> | Power               | 40 °C                     | 50 °C | T <sub>o max.</sub> at Ta = 40 °C |                            |                            |        |
| Floodlight size 3 | Sheet steel powder coated | E40           | QT                  | 500 W               | T3                        | T3    | 147 °C                            | 6521/4312-150-023-1-230-50 | 22.590                     |        |
|                   |                           |               |                     | 1000 W              | T2                        | T2    | 230 °C                            | 6521/4312-111-023-1-230-50 | 22.490                     |        |
|                   |                           | E40           | HIT/HST             | HST                 | 600 W                     | T3    | T2                                | 190 °C                     | 6521/4312-360-123-1-230-50 | 29.190 |
|                   |                           |               |                     | HIT/HST             | 250 W                     | T4    | T3                                | 125 °C                     | 6521/4312-625-123-1-230-50 | 24.990 |
|                   |                           |               |                     |                     | 400 W                     | T3    | T3                                | 160 °C                     | 6521/4312-640-123-1-230-50 | 25.590 |
|                   |                           |               |                     | Stainless steel V2A | E40                       | QT    | 500 W                             | T3                         | T3                         | 147 °C |
|                   | 1000 W                    | T2            | T2                  |                     |                           |       | 230 °C                            | 6521/4312-111-023-3-230-50 | 22.100                     |        |
|                   | E40                       | HIT/HST       | HST                 |                     | 600 W                     | T3    | T2                                | 190 °C                     | 6521/4312-360-123-3-230-50 | 28.800 |
|                   |                           |               | HIT/HST             |                     | 250 W                     | T4    | T3                                | 125 °C                     | 6521/4312-625-123-3-230-50 | 24.600 |
|                   |                           |               |                     |                     | 400 W                     | T3    | T3                                | 160 °C                     | 6521/4312-640-123-3-230-50 | 25.200 |
|                   |                           |               | Stainless steel V4A |                     | E40                       | QT    | 500 W                             | T3                         | T3                         | 147 °C |
|                   | 1000 W                    | T2            |                     | T2                  |                           |       | 230 °C                            | 6521/4312-111-023-4-230-50 | 22.100                     |        |
| E40               | HIT/HST                   | HST           |                     | 600 W               | T3                        | T2    | 190 °C                            | 6521/4312-360-123-4-230-50 | 28.800                     |        |
|                   |                           | HIT/HST       |                     | 250 W               | T4                        | T3    | 125 °C                            | 6521/4312-625-123-4-230-50 | 24.600                     |        |
|                   |                           |               |                     | 400 W               | T3                        | T3    | 160 °C                            | 6521/4312-640-123-4-230-50 | 25.200                     |        |

Order Number Supplement

|                         |                         |                           |
|-------------------------|-------------------------|---------------------------|
| Reflector, symmetrical  | broad-beamed (standard) | 6521/4.1.-...-...3-.....  |
|                         | narrow beamed           | 6521/4.2.-...-...3-.....  |
| Reflector, asymmetrical | broad-beamed            | 6521/4.3.-...-...3-.....  |
| Compensation            | without                 | 6521/4.-...-...-0.3-..... |
|                         | with                    | 6521/4.-...-...-1.3-..... |
| Rated voltage           | Specify rated voltage   |                           |

Note

- 1) QT → Halogen lamps
- HIT → Metal halide lamps
- HST → High-pressure sodium lamps
- HIT/HST → Metal halide lamps / High-pressure sodium lamps
- The floodlights are delivered without lamps; mounting bracket is delivered standard. Additional mounting accessories must be ordered separately.
- Cable gland M20 x 1.5; connection range  $\varnothing$  6 ... 13 mm (standard)  
Cable gland M25 x 1.5; connection range  $\varnothing$  10 ... 17 mm

E2

# Floodlight

## Series 6521/4

### Explosion Protection

#### Global (IECEX)

|              |  |
|--------------|--|
| Gas and dust | IECEX TUR 10.0014<br>Ex nRc IIC T <sup>1)</sup><br>EX tb IIIC T <sup>1)</sup> IP66 |
|--------------|--|

#### Europe (ATEX)

|      |  |
|------|--|
| Gas  | TÜV 11 ATEX 7008<br>Ⓢ II 3G Ex nRc IIC T <sup>1)</sup>                                   |
| Dust | TÜV 10 ATEX 7875<br>Ⓢ II 2D Ex tb IIIC T <sup>1)</sup> °C IP66<br>1) See selection table |

#### Certifications and certificates

|              |                           |
|--------------|---------------------------|
| Certificates | IECEX, ATEX, India (PESO) |
|--------------|---------------------------|

### Technical Data

#### Electrical data

|                    |   |                     |                |                                  |                |   |                |
|--------------------|---|---------------------|----------------|----------------------------------|----------------|---|----------------|
| Rated voltage      | 220 V ... 240 V AC, 50 Hz                   |                     |                |                                  |                |   |                |
| Rated current      | Size 6521/4.                                | Halogen lamp * QT * |                | Halogen metal vapour lamp* HIT * |                | High-pressure sodium vapour lamp* HST * |                |
|                    |   | Efficiency          | I <sub>N</sub> | Efficiency                       | I <sub>N</sub> | Efficiency                              | I <sub>N</sub> |
|                    | Size 6521/41                                | 100 W               | 0.44 A         | 70 W                             | 1.0 A          | 70 W                                    | 0.98 A         |
|                    |   | 150 W               | 0.65 A         | 100 W                            | 1.4 A          | --                                      | --             |
|                    |   | 250 W               | 1.1 A          | 150 W                            | 1.8 A          | --                                      | --             |
|                    | Size 6521/42                                | 500 W               | 2.17 A         | 250 W                            | 3.0 A          | 150 W                                   | 1.8 A          |
|                    |   | --                  | --             | --                               | --             | 250 W                                   | 3.0 A          |
|                    |   | --                  | --             | --                               | --             | --                                      | --             |
|                    | Size 6521/43                                | --                  | --             | 250 W                            | 3.0 A          | 250 W                                   | 3.0 A          |
|                    |   | --                  | --             | 400 W                            | 4.2 A          | 400 W                                   | 4.45 A         |
|                    |   | 500 W               | 2.17 A         | --                               | --             | --                                      | --             |
|                    |   | --                  | --             | --                               | --             | 600 W                                   | 6.2 A          |
|                    |   | 1000 W              | 4.35 A         | --                               | --             | --                                      | --             |
| Power factor cos φ | High-pressure lamps compensated cos φ > 0.9 |                     |                |                                  |                |   |                |

#### Ambient conditions

|                     |  |
|---------------------|--|
| Ambient temperature | -40 ... +40 °C / +50 °C (observe the temperature class)<br>-50 ... +40 °C / +50 °C (QT-lamps, observe the temperature class) |
|---------------------|--|

#### Mechanical data

|                      |   |  |
|----------------------|---|--|
| Degree of protection | IP66 to EN 60598  |  |
| Protection class     | I (with internal / external PE connection)                  |  |
| Material             |   |  |
| Enclosure            | 6521/4...-1-...-1-...-..                                    | Sheet steel powder coated RAL 7032 (pebble-grey) |
|                      | 6521/4...-3-...-3-...-..                                    | Stainless steel 1.4301 (V2A)                     |
|                      | 6521/4...-4-...-4-...-..                                    | Stainless steel 1.4404 (V4A)                     |
| Window               | Safety glass; resistant to thermal shocks                   |  |
| Seal                 | Silicone  |  |
| Reflector            | Aluminium, anodised   |  |
| Enclosure lock       | Allen screws, M6, stainless steel<br>Hinged enclosure cover |  |

#### Assembly / Installation


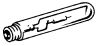






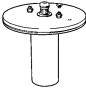
|                    |   |
|--------------------|---|
| Operating position | Horizontal lamp axis  |
| Cable gland        |   |
| Standard           | 1 x M20 x 1.5 cable gland, clamping area $\varnothing$ 6 ... 13 mm<br>1 x M20 x 1.5 stopping plug<br>1 x M20 x 1.5 cable entry (with blind plugs - as test holes) |
| Special            | specific customer order possible  |
| Connection option  | L1 + N + PE, for 4 mm <sup>2</sup> single-wire and finely stranded<br>Cage clamp terminals, 2 clamping positions  |
| Mounting           | U-shaped holding bracket made of stainless steel, continuously swivelable around the rotary axis of the flood lights.   |

# Floodlight

## Series 6521/4



### Accessories and Spare Parts

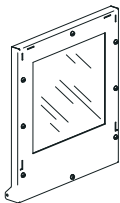


| Designation                    | Illustration  | Description                                       |             |         |                  | Art. no.      | Weight |
|--------------------------------|---|---|-------------|---------|------------------|---------------|--------|
|                                |   |   |             |         |                  |               | kg     |
| Halogen lamps QT               | <br>05355E00   | Power   | Lamp holder | Voltage | Lighting current |               |        |
|                                |   | 150 W   | E27         | 230 V   | 2870 lm          | <b>207458</b> | 0.040  |
|                                |   | 205 W   | E27         | 230 V   | 4200 lm          | <b>203469</b> | 0.100  |
|                                |   | 500 W   | E40         | 230 V   | 10250 lm         | <b>108874</b> | 0.132  |
|                                |   | 1000 W  | E40         | 230 V   | 24000 lm         | <b>108872</b> | 0.152  |
| Metal-halide lamps HIT / HIE   | <br>05355E00   | Power   | Lamp-holder | Voltage | Lighting current |               |        |
|                                |   | 70 W  | E27         | 230 V   | 7000 lm          | <b>109128</b> | 0.090  |
|                                | <br>04963E00   | 100 W   | E27         | 230 V   | 7700 lm          | <b>109308</b> | 0.420  |
|                                |   | 150 W   | E27         | 230 V   | 11500 lm         | <b>109309</b> | 0.110  |
|                                | <br>05355E00 | 150 W   | E40         | 230 V   | 14500 lm         | <b>109130</b> | 0.175  |
|                                |   | 250 W   | E40         | 230 V   | 20000 lm         | <b>109132</b> | 0.200  |
| High-pressure sodium lamps HST | <br>05355E00 | Power   | Lamp-holder | Voltage | Lighting current |               |        |
|                                |   | 70 W  | E27         | 230 V   | 6600 lm          | <b>109127</b> | 0.070  |
|                                |   | 150 W   | E40         | 230 V   | 17500 lm         | <b>109129</b> | 0.170  |
|                                |   | 250 W   | E40         | 230 V   | 33200 lm         | <b>109131</b> | 0.213  |
|                                |   | 400 W   | E40         | 230 V   | 56500 lm         | <b>109133</b> | 0.210  |
| Light visor                    | <br>09785E00 | Stainless steel; attaches to front cover          |             |         |                  |               |        |
|                                |   | for 6521/.1                                       |             |         |                  | <b>123494</b> | 0.775  |
|                                |   | for 6521/.2                                       |             |         |                  | <b>123498</b> | 2.060  |
|                                |   | for 6521/.3                                       |             |         |                  | <b>123501</b> | 2.460  |
|                                |   | for 6521/.3                                       |             |         |                  | <b>123501</b> | 2.460  |
| Baffle screen                  | <br>09786E00 | Stainless steel; attaches to front cover          |             |         |                  |               |        |
|                                |   | for 6521/.1                                       |             |         |                  | <b>123506</b> | 1.170  |
|                                |   | für 6521/.2                                       |             |         |                  | <b>123507</b> | 2.290  |
|                                |   | for 6521/.3                                       |             |         |                  | <b>123508</b> | 3.390  |
| Mounting base (rotatable)      | <br>09787E00 | Stainless steel for all sizes                     |             |         |                  | <b>123495</b> | 3.810  |
| Pole mounting attachment       | <br>09788E00 | For installation on end of pole (stainless steel) |             |         |                  |               |        |
|                                |   | Ø 60 mm   |             |         |                  | <b>123493</b> | 4.430  |
|                                |   | Ø 76 mm   |             |         |                  | <b>123497</b> | 5.260  |
|                                |   | Ø 89 mm   |             |         |                  | <b>123500</b> | 4.640  |

E2

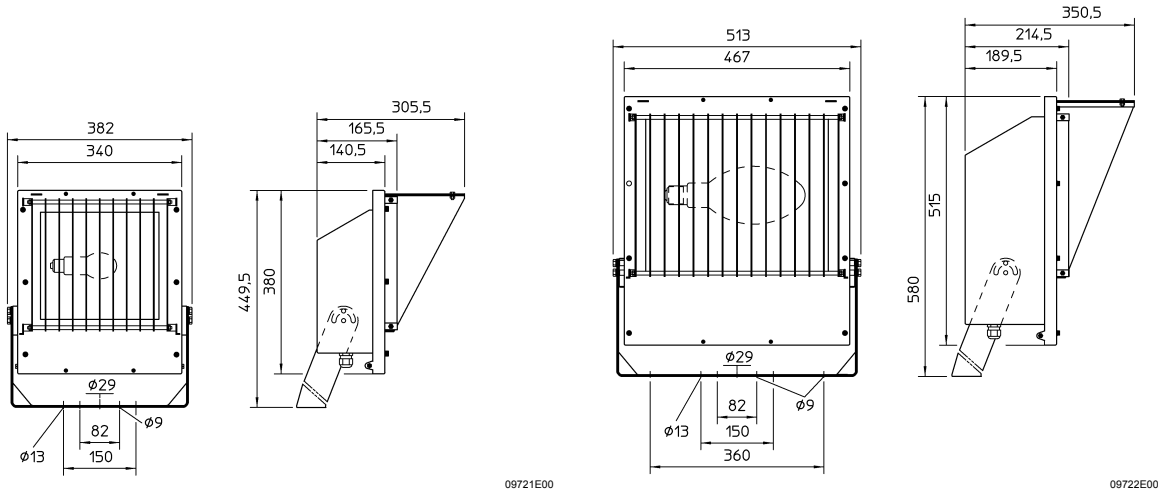
# Floodlight

## Series 6521/4

### Accessories and Spare Parts

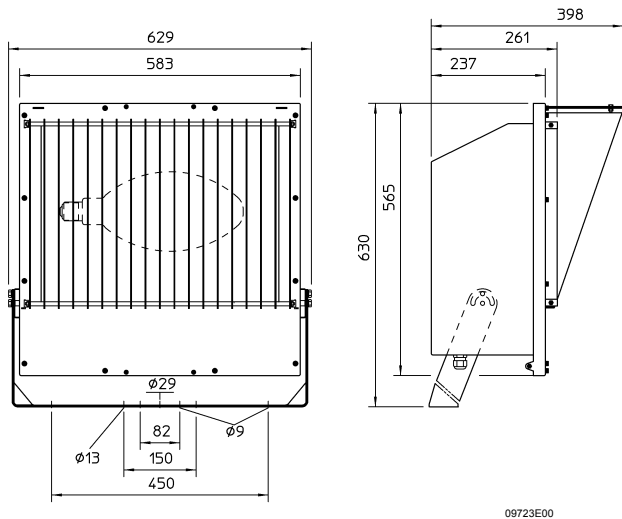
| Designation       | Illustration   | Description                                    | Art. no.      | Weight |
|-------------------|--|--|---------------|--------|
|                   |  |  |               | kg     |
| Cover with window | <br>15083E00  | Cover with glass for replacement               |               |        |
|                   |  | for 6521/41 Sheet steel powder coated RAL 7032 | <b>209329</b> | 2.694  |
|                   |  | for 6521/41 Stainless steel 1.4301 (V2A)       | <b>207484</b> | 2.650  |
|                   |  | for 6521/41 Stainless steel 1.4404 (V4A)       | <b>209328</b> | 2.650  |
|                   |  | for 6521/42 Sheet steel powder coated RAL 7032 | <b>209336</b> | 5.059  |
|                   |  | for 6521/42 Stainless steel 1.4301 (V2A)       | <b>207485</b> | 5.000  |
|                   |  | for 6521/42 Stainless steel 1.4404 (V4A)       | <b>209335</b> | 5.000  |
|                   |  | for 6521/43 Sheet steel powder coated RAL 7032 | <b>209189</b> | 6.583  |
|                   |  | for 6521/43 Stainless steel 1.4301 (V2A)       | <b>207486</b> | 6.500  |
|                   |  | for 6521/43 Stainless steel 1.4404 (V4A)       | <b>209188</b> | 6.500  |
| Cable gland       | <br>09727E00  | Brass, nickel-plated with O-ring               |               |        |
|                   |  | M20  | <b>109582</b> | 0.040  |
|                   |  | M20  | <b>106037</b> | 0.010  |
| Stopping plug     | <br>09726E00 | Brass, nickel-plated with O-ring               |               |        |
|                   |  | M20  | <b>106132</b> | 0.015  |
|                   |  | M25  | <b>106133</b> | 0.024  |

**Dimensional Drawings** (All Dimensions in mm) - Subject to Alterations



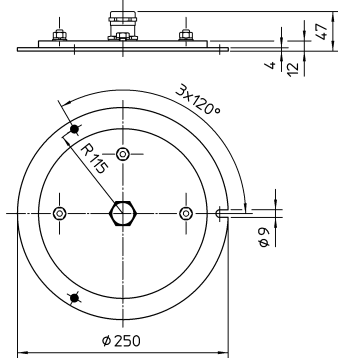
**Size 1, 6521/41** <sup>1)</sup>

**Size 2, 6521/42** <sup>1)</sup>

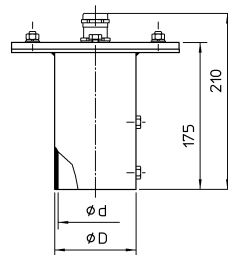


**Size 3, 6521/43** <sup>1)</sup>

<sup>1)</sup> Shown with baffle screen and light visor, both parts are accessories and are not included in the standard scope of delivery



Mounting base (rotatable)



Pole mounting attachment

| D  | d  |
|----|----|
| 97 | 89 |
| 89 | 76 |
| 75 | 60 |

**Accessories**

We reserve the right to make alterations to the technical data, dimensions, weights, designs and products available without notice. The illustrations cannot be considered binding.