

Tubular Light Fitting with LED

Series 6039



www.stahl.de



15557E00

- > Extremely robust luminaire design for rough ambient conditions
- > Can be used as maintenance-free machine light
- > Extremely long service life due to LED used
- > High power LEDs including driver in innovative design
- > Even more security due to flicker-free LED light

E2



The tubular light fitting LED of the Series 6039 is an extremely robust luminaire with high IP degree of protection. The maintenance-free and long-life luminaire is particularly suitable for the use as machine light. Thanks to the compact design and the special fastening accessories, the tubular light fitting LED Series 6039 can be mounted very well at areas with reduced mounting space that are difficult to access. The flicker-free LED light ensures a high degree of safety in case of rotating system components.



Zone	ATEX / IECEx					
	0	1	2	20	21	22
For use in		x	x		x	x

WebCode 6039A

Tubular Light Fitting with LED

Series 6039

Selection Table

Version	Rated operational voltage	Connection line	Order number	Weight kg
 15558E00	12 V DC	2.5 m	6039/2-1221-120-00	1.400
		5.0 m	6039/2-1221-150-00	1.400
	24 ... 48 V AC / DC, 50 / 60 Hz	2.5 m	6039/2-1321-120-00	1.400
		5.0 m	6039/2-1321-150-00	1.400
 09404E00	110 ... 240 V AC / DC, 50 / 60 Hz	2.5 m	6039/2-1511-120-00	1.200
		5.0 m	6039/2-1511-150-00	1.400

Note The tubular light fitting is delivered without plug. Specify the plug on order (see Accessories and Spare Parts).

Explosion Protection

Global (IECEX)

Gas and dust

IECEX PTB 07.0018
Ex d IIC T4 Gb or Ex db IIC T4
Ex tb IIIC T100°C Db or Ex tb IIIC T 100°C

Europe (ATEX)

Gas and dust

PTB 07 ATEX 1009
Ⓔ II 2 G Ex d IIC T4 Gb or Ex db IIC T4
Ⓔ II 2 D Ex tb IIIC T100 °C Db or Ex tb IIIC T100°C

Certifications and certificates

Certificates

IECEX, ATEX

Technical Data

Electrical data

Version	6039/2-12 (12 V)	6039/2-13 (24 ... 48 V)	6039/2-15 (110 ... 240 V)
Rated operational voltage	12 V DC	24 ... 48 V AC / DC, 50 / 60 Hz	110 ... 240 V AC / DC, 50 / 60 Hz
Nominal operational current	12 V 1.3 A	24 V AC / DC 0.7 A 48 V AC / DC 0.3 A	110 V AC 0.13 A 240 V AC 0.07 A

Luminous characteristics

Version	6039/2-12 (12 V)	6039/2-13 (24 ... 48 V)	6039/2-15 (110 ... 240 V)
Lamps	LED - typ. 6000K	LED - typ. 6000K	LED - typ. 6000K
Luminous flux	approx. 1,000 lm	approx. 1,000 lm	approx. 1,000 lm
Luminous Intensity	285 lux in 1 m distance	285 lux in 1 m distance	285 lux in 1 m distance

Ambient conditions

Version	6039/2-12 (12 V)	6039/2-13 (24 ... 48 V)	6039/2-15 (110 ... 240 V)
Ambient temperature	-40 ... +40 °C	-40 ... +70 °C	-30 ... +70 °C

Mechanical data

Degree of protection	IP66 / IP67 (IEC 60589)
Protection class	II
Impact strength (IK code)	IK10 (IEC 62262)
Material	
Enclosure tube	Polycarbonate
Sealing cap	NBR / PVC (EPDM)

Tubular Light Fitting with LED

Series 6039



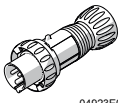


Technical Data

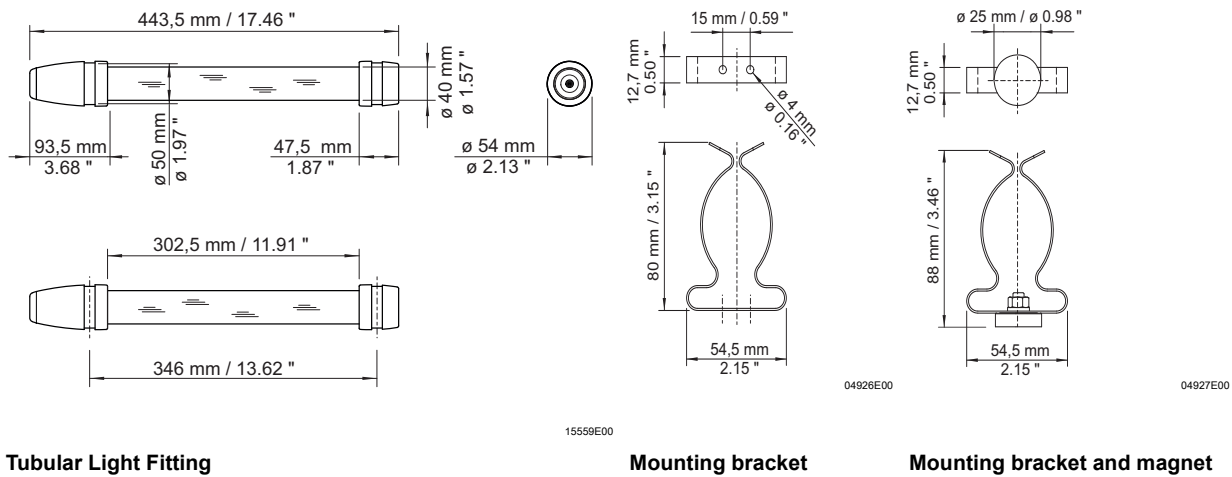
Mounting / Installation

Cable glands	8163/2-20-A2F-M20, M20 x 1.5, d 6.5 ... 14.0 mm
Connection line	Standard: connection line, type H07RN-F, ϕ 7.7 ... 10 mm, 2 x 1 mm ² Optional: Gifas Thermoflex cable, Type HXSLHXO-J, d 7.7 ... 10 mm, 2 x 1.5 mm ² HELU cable with braid, Type SY-JZ, 2 x 1.5 mm ²

Accessories and Spare Parts

Designation	Figure	Description	Art. no.	Weight kg
Mounting bracket	 04880E00	Mounting bracket of galvanised sheet steel (2 pieces)	120535	0.050
Mounting bracket and magnet	 04885E00	Mounting bracket of galvanised sheet steel and magnet (2 pieces)	120536	0.100
Plug	 04923E00	8570/12-304 3 pins, 100 ... 130 V, 50 / 60 Hz, 16 A	150599	0.420
		8570/12-306 3 pins, 200 ... 250 V, 50 / 60 Hz, 16 A	150579	0.420

Dimensional Drawings (All Dimensions in mm [inches]) - Subject to Alterations



We reserve the right to make alterations to the technical data, dimensions, weights, designs and products available without notice. The illustrations cannot be considered binding.