

Tubular Light Fittings for Fluorescent Lamps

Series T-LUX 6035



www.stahl.de



- > Pendant, wall mounting or bulkhead fitting options
- > 1- or 2-lamp version
 - 18 W
 - 36 W
 - 58 W
- > Aluminium enclosure, borosilicate glass tube
- > Degree of protection IP68

E2



12665E00

The light Series T-LUX 6035 fittings are ideal for use on ships, in sewage and treatment plants, pumping stations water collecting tanks and inspection pits. They can be used for normal lighting as well as for group or centrally supplied emergency lights.

Zone	ATEX / IECEx					
	0	1	2	20	21	22
For use in		x	x		x	x

WebCode 6035A

Tubular Light Fittings for Fluorescent Lamps

Series T-LUX 6035

Selection Table

Version	Lamps	Explosion group	Temperature class							Electronic ballast	Order number	Weight kg
			without external reflector			with external reflector						
			40 °C	55 °C	TO max at Ta = 55 °C	Ta = 40 °C	Ta = 55 °C	TO max = 55 °C				
Tubular Light Fittings for Fluorescent Lamps Series T-LUX 6035	2 x 18 W	IIC	T6 ²⁾	T5	85 °C	T6	T5	95 °C	1 channel EB	6035/12522-8010	9.700	
		IIC	T6 ²⁾	T5	85 °C	T6	T5	95 °C	Magnetic ballast compensated	6035/12522-4010	9.700	
	2 x 36 W	IIB	T6	T5	100 °C	T6	T6	80 °C	1 channel EB	6035/13542-8010	15.300	
		IIB+H ₂	T6	T5	100 °C	T6	T6	80 °C	Magnetic ballast compensated	6035/13542-2010	15.300	
	2 x 58 W	IIB	T6	T6	80 °C	T6	T5	95 °C	1 channel EB	6035/14562-8010	18.200	
		IIB	T6	T6	80 °C	T6	T5	95 °C	Magnetic ballast compensated	6035/14562-2010	18.200	

Note ²⁾ with magnetic ballast

Explosion Protection

Global (IECEX)

Gas and dust

IECEX LCI 07.0002
Ex d IIB T4, T5 or T6¹⁾
Ex tD A21¹⁾
¹⁾ see selection table

Europe (ATEX)

Gas and dust

LCIE 06 ATEX 6104
⊕ 2 II G Ex d IIC/B T¹⁾ IIB = 36 W / 58 W IIC = 18 W
⊕ II 2 D Ex tD A21
¹⁾ see selection table

Certifications and certificates

Certificates

IECEX, ATEX, Serbia (SRPS), Belarus (operating authorisation)

Technical Data

Electrical data

Rated voltage

ECG: 220 ... 240 V ± 10 %, 50/60 Hz, cos φ ≥ 0.95
Magnetic ballast: 230 or 240 V + 6 % - 10 %, 50 Hz, cos φ ≥ 0.9 (compensated)

Rated current

1 x 18 W	2 x 18 W	1 x 36 W	2 x 36 W	1 x 58 W	2 x 58 W
0.1 A	0.17 A	0.17 A	0.32 A	0.26 A	0.52 A

Luminous Characteristics

Lamps

1 x 18 W ; 2 x 18 W ; 1 x 36 W ; 2 x 36 W, 1 x 58 W, 2 x 58 W
Two-pin fluorescent lamps Ø 26 mm, socket G13

Measures for light guidance

Standard: wide beam, tube sides anti-glare

Ambient conditions

Ambient temperature

- 20 ... + 55 °C (6035/12 and 6035/13 T_a - 20 ... + 60 °C)

Mechanical data

Degree of protection

IP66 / IP68 (10 m)

Protection class

I (with internal PE connection terminal)

Cover fixing

screw cap

Material

Enclosure

Aluminium

Tube

Borosilicate glass

Assembly / Installation

Cable gland

Standard

2 holes M20 facing each other; 1 stopping plug included in the delivery

Special

2 holes M20 add 1 hole M25 or 2 holes NPT 3/4"
metal cable gland earthing via metal adapter plates

Connection type

Terminal block with spring contacts; with through-wiring option
Marking L1 + N + PE; cable cross-section max. 2 x 2.5 mm², solid / flexible

Tubular Light Fittings for Fluorescent Lamps

Series T-LUX 6035



Technical Data

Assembly / Installation

Mounting

- Standard
- Special


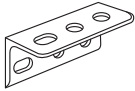
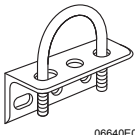
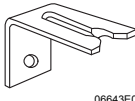
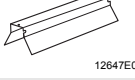
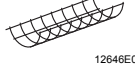

3 x M8 inserts in the end caps

Options are: wall mounting bracket, pipe clamps or ring bolts.

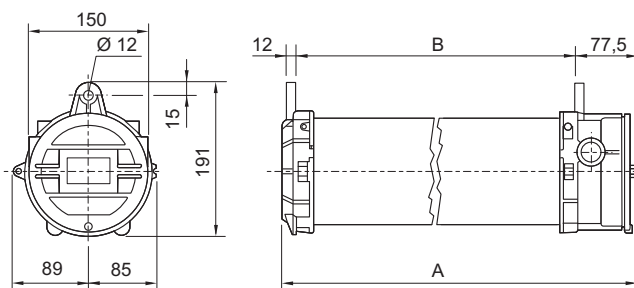
Note on Mounting

When installing the light fittings care must be taken to ensure that the distance between the opening side of the fitting and the wall, the next light fitting or other obstacles is at least one fitting length. This is because the reflector plate must be pulled right out of the fitting when lamps are changed.

Accessories and Spare Parts

Designation	Illustration	Description	Art. no.	Weight kg
Bi-pin lamp G13, light colour: universal white	 04936E00	18 W 1350 lm	108952	0.100
		36 W 3350 lm	108951	0.200
		58 W 5200 lm	108950	0.220
Fixation on flat surface	 06645E00	1 pair, material: stainless steel	117200	0.510
		1 pair, material: zinc plated steel	117199	0.520
Pipe hanger fastening	 06640E00	1 pair, material: stainless steel, 42 - 49 mm (1 1/4 - 1 1/2 ")	117196	0.690
		1 pair, material: zinc plated steel, 42 - 49 mm (1 1/4 - 1 1/2 ")	117195	0.660
Fast Fixing	 06643E00	1 pair, material: stainless steel	117198	0.270
		1 pair, material: zinc plated steel	117197	0.280
External Reflector	 12647E00	Steel reflector, varnished, 58 W	117203	0.070
		Steel reflector, varnished, 36 W	117202	0.060
		Steel reflector, varnished, 18 W	117201	0.050
Protective wire grid	 12648E00	Steel protective wire grid, 58 W	117194	0.100
		Steel protective wire grid, 36 W	117193	0.085
		Steel protective wire grid, 18 W	117192	0.070
Fall prevention kit	 14857E	1,20 m stainless steel chain	211866	0.145

Dimensional Drawings (all Dimensions in mm) - Subject to Alterations



06633E00

Lamps	A	B
18 W	745	650
36 W	1365	1260
58 W	1655	1560

Series 6035 Tubular Light Fittings

We reserve the right to make alterations to the technical data, dimensions, weights, designs and products available without notice. The illustrations cannot be considered binding.