

Light Fittings for Fluorescent Lamps

Series EXLUX 6001



www.stahl.de



15454E00

- > As wall, ceiling and pendant light fitting or side entry lamp
- > Version with 2 lamps: 18 W, 36 W and 58 W
- > Central locking
- > All-pole disconnection by means of an N/C switch when the lamp is opened

E2



The lights of the Series EXLUX 6001 can be used for normal lighting but also for an emergency light which is supplied with current via a group or a central system.

Zone	ATEX / IECEx / GOST					
	0	1	2	20	21	22
For use in:		x	x		x	x

WebCode 6001A

Light Fittings for Fluorescent Lamps

Series EXLUX 6001

Selection Table

Design	Length mm	Lamp wattage W	Number of lamps	Order number	Weight kg
EXLUX 6001	700	18	2	6001/522-9510-1511	8.500
	1310	36	2	6001/542-9510-1511	10.400
	1610	58	2	6001/562-9510-1511	10.800

Order Number Supplement

Through wiring	without	6001/5...0...-....
	with 5 conductors	6001/5...5...-....
ECG	220 ... 240 V 1xDC	6001/5...0-....
	220 ... 240 V 2xDC	6001/5...1-....
	110 ... 240 V 1xDC (only 18 W and 36 W)	6001/5...2-....
	110 ... 240 V 2xDC (only 18 W and 36 W)	6001/5...3-....
	120 ... 277 V 2xDC (17 W, 32 W and 40 W NEC-standard)	6001/5...6-....
Connection terminal	Cage clamp terminal type WAGO 0.5 ... 4 mm ²	6001/5...-1...
	Screw-type terminal type STAHL 1.5 ... 6 mm ²	6001/5...-2...
Cable glands	Standard 1 x M25 x 1.5 cable gland and 2 x M25 x 1.5 stopping plugs	6001/5...-1.
	Special 1 x M20 x 1,5 cable gland and 2 x M20 x 1,5 stopping plug	6001/5...-2.

Note

The lights are delivered without fluorescent lamps and assembly parts. These parts must be ordered separately!

Explosion protection

Global (IECEx)

Gas and dust

IECEx PTB 13.0003
Ex d e IIC T4 Gb or Ex db eb IIC T4
Ex tb IIIC T80 °C Db or Ex tb IIIC T80 °C

Europe (ATEX)

Gas and dust

PTB 13 ATEX 2004
⊕ II 2 G Ex d e IIC T4 Gb or Ex db eb IIC T4
⊕ II 2 D Ex tb IIIC T80°C Db or Ex tb IIIC T80 °C

Approvals and Certificates

Certificates

IECEx, ATEX

Technical data

Electrical data

Ballast

	6001/...-0-....	6001/...-1-....
Lamp start	Cold start	Cold start
Voltage	220 ... 240 V AC	220 ... 240 V AC
Voltage DC during switching on	198 ... 264 V DC	104 ... 264 V DC
Voltage DC during operation	176 ... 264 V DC	198 ... 264 V DC
Frequency	0 / 50 ... 60 Hz	0 / 50 ... 60 Hz
Operation of the lamps DC	1 lamp	2 lamps
Lamp standard	IEC 60081	IEC 60081
Lamp power	18, 36, 58 W	18, 36, 58 W
Nominal current	1 x 18 W, 85 mA 2 x 18 W, 170 mA 1 x 36 W, 160 mA 2 x 36 W, 320 mA 1 x 58 W, 250 mA 2 x 58 W, 500 mA	1 x 18 W, 85 mA 2 x 18 W, 170 mA 1 x 36 W, 160 mA 2 x 36 W, 320 mA 1 x 58 W, 250 mA 2 x 58 W, 500 mA

Light Fittings for Fluorescent Lamps

Series EXLUX 6001



Technical data

Electrical data

Ballast	6001/...-...2-....	6001/...-...3-....	6001/...-...6-....
Lamp start	Cold start	Cold start	Cold start
Voltage	110 ... 240 V AC	110 ... 240 V AC	120 ... 277 V AC
Voltage DC during switching on	104 ... 264 V DC	104 ... 264 V DC	113 ... 294 V DC
Voltage DC during operation	104 ... 264 V DC	104 ... 264 V DC	113 ... 294 V DC
Frequency	0 / 50 ... 60 Hz	0 / 50 ... 60 Hz	0 / 50 ... 60 Hz
Operation of the lamps DC	1 lamp	2 lamps	2 lamps
Lamp standard	IEC 60081	IEC 60081	ANSI C78.81
Lamp power	18, 36 W	18, 36 W	17, 32, 40 W
Nominal current	1 x 18 W, 85 ... 175 mA 2 x 18 W, 170 ... 345 mA 1 x 36 W, 155 ... 330 mA 2 x 36 W, 310 ... 660 mA	1 x 18 W, 85 ... 175 mA 2 x 18 W, 170 ... 345 mA 1 x 36 W, 155 ... 330 mA 2 x 36 W, 310 ... 660 mA	1 x 17 W, 80...155 mA 2 x 17 W, 160...305 mA 1 x 32 W, 135...285 mA 2 x 32 W, 270...570 mA 1 x 40 W, 160...360 mA 2 x 40 W, 325...715 mA
Power factor cos φ	cos φ ≥ 0.97 capacitive; no additional compensation required		
Disconnection of the light	<p>When opening the light Switch with safety lock; when opening the central lock, all poles of the voltage supply to the ballast are disconnected; contacts of the switching element are NC contacts, they can only be switched on again when the lamp cover and the central locking system are closed.</p> <p>In case of a lamp fault, the electronic ballast disconnects the defective lamp from the power supply.</p>		
End of life switch	The electronic ballast, type 6042/9.-, fulfills the requirements according to IEC 61347-2-3 (simulation of the "end of life effect" of fluorescent lamps, "asymmetric pulse test 1" and "asymmetric power test 2" correspond to the test conditions in the draft IEC 60079-7 ed.4 appendix H).		

Luminous Characteristics

Measures for light guidance	Standard: Deep bowl, reflector of the lamp is white Lateral dazzle limitation in the lamp cover
-----------------------------	---

Ambient conditions

Operating temperature range	Through wiring	
	without	with
6001/52.-...0-....	-30 °C ... 60 °C	-30 °C ... 50 °C
6001/52.-...1-....	-30 °C ... 60 °C	-30 °C ... 50 °C
6001/52.-...2-....	-30 °C ... 45 °C	-30 °C ... 40 °C
6001/52.-...3-....	-30 °C ... 45 °C	-30 °C ... 40 °C
6001/54.-...0-....	-30 °C ... 55 °C	-30 °C ... 50 °C
6001/54.-...1-....	-30 °C ... 55 °C	-30 °C ... 50 °C
6001/54.-...2-....	-30 °C ... 45 °C	-30 °C ... 40 °C
6001/54.-...3-....	-30 °C ... 45 °C	-30 °C ... 40 °C
6001/56.-...0-....	-20 °C ... 55 °C	-20 °C ... 50 °C
6001/56.-...1-....	-20 °C ... 55 °C	-20 °C ... 50 °C
6001/53.-...6-....	-30 °C ... 40 °C	-30 °C ... 40 °C
6001/55.-...6-....	-30 °C ... 40 °C	-30 °C ... 40 °C

The lowest ambient temperature when used with breather is -20 °C.

Mechanical data

Degree of protection	IP66 (IEC 60589)
Protection class	I (with internal PE connection)
Material	
Enclosure	
Enclosure	Polyester resin, glass fibre-reinforced Colour white, similar to RAL 9010
Colour	colour grey, similar to RAL 7035
Gasket	Silicone foam gasket in the lamp cover
Lamp cover	Polycarbonate
Lamp locking	Central locking which can be opened/closed using a socket key M8 / wrench size 13, hinged lamp cover

E2

Light Fittings for Fluorescent Lamps

Series EXLUX 6001

Technical data

Mounting / Installation

Cable glands

Standard luminaire

Plastic: 1 x M25 x 1.5 cable gland 8161 and
2 x M25 x 1.5 stopping plugs 8290 (enclosed)

Metal: 2 x metal plates M20 x 1.5 connected by means of PE for metal cable entries
Attention: cable entries must be ordered separately

Special: max. 4 bores for M20, M25, NPT 1/2"
max. 2 bores for NPT 3/4"

Metal cable glands: M20 x 1.5, M25 x 1.5; earthing of the metal cable entries by means of metal plates

Connection

Standard: Käfigzugfederklemmen
5-polig: L1, L2, L3, N, PE
Klemmbereich: 1 x 0,75 ... 4 mm² (eindrätzig / feindrätzig)
(2 freie Klemmstellen je Pol vorhanden)

Sonder: Klemmenblock mit Abdeckung
5-polig: L1, L2, L3, N, PE
Klemmbereich: 2 x 1,5 ... 6 mm² (eindrätzig); 2 x 1,5 ... 4 mm² (feindrätzig)

Through wiring

Standard luminaire
Luminaires are equipped with internal through wiring.
Ingoing and outgoing leads can be connected on the opposite sides.
Terminals: see Techn. data
Wiring cross-section: 2.5 mm² for max. 16 A

without
Optional
On the connection side, there are 2 bores M25 x 1.5 for cable entries for ingoing and outgoing wiring of the connection line (ingoing and outgoing leads on one side).

Assembly


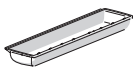
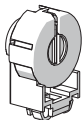
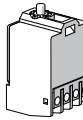
For outdoor mounting, a breather is recommended

Standard luminaire

Standard: 2 x M8 insert nuts in the enclosure

Special: Mounting grooves in the enclosure for the use of fastening and ceiling rails for variable luminaire mounting (variable mounting distances for luminaires 18 W: 320 ... 480 mm;
36 W / 58 W: 670 ... 930 mm)

Accessories and Spare Parts

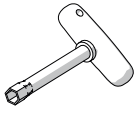
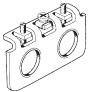
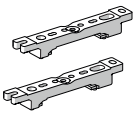
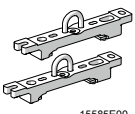
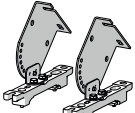
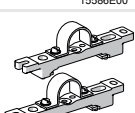
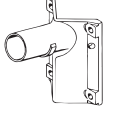


Designation	Figure	Description	Art. no.	Weight kg	
Fluorescent lamps	 04936E00	Two-pin cap \varnothing 26 mm Light colour: universal white			
		18 W 1350 lm	108952	0.100	
		36 W 3350 lm	108951	0.200	
Lamp cover		for luminaire L=700	222427	0.639	
		for luminaire L=1310	222428	1.149	
		for luminaire L=1610	222429	1.450	
Lamp-holder	 05696E00	Lamp holder G13	1 piece	117252	0.025
Switch	 10809E00	Switching element 8080/1-3-L, 2 normally closed contacts	132527	0.025	

Light Fittings for Fluorescent Lamps

Series EXLUX 6001



Accessories and Spare Parts

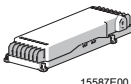
Designation	Figure	Description	Art. no.	Weight kg	
Socket key	 15507E00	M8 / wrench size 13; to open/close the central locking	222430	0.210	
Adapter plates	 05755E00	for use together with metal cable glands; the metal cable glands are integrated in the earthing system via adapter plates			
		1 x M20 x 1.5	1 piece	115815	0.070
		1 x M25 x 1.5	1 piece	115818	0.070
		2 x M20 x 1.5	1 piece	115826	0.060
		2 x M25 x 1.5	1 piece	115828	0.060
		1 x NPT 1/2"	1 piece	115821	0.070
		1 x NPT 3/4"	1 piece	115824	0.070
Mounting rail	 15584E00	for a variable mounting distance	1 pair	222826	0.300
Mounting bracket	 15585E00	Mounting clamp mounted on a mounting rail for a variable mounting distance; 1 pair	222456	0.400	
Ceiling and wall-mounting bracket	 15586E00	mounted on a mounting rail for a variable mounting distance; Material: stainless steel Lamp can be swiveled in steps of 15°	1 pair	222827	2.400
Pipe clamp	 15583E00	with mounting rail for a variable mounting distance; Material: stainless steel	1 pair		
		R 1 1/4"		222458	1.250
		R 1 1/2"		222459	1.200
		R 2"		222460	1.300
Bracket for wall mounting with tube	 05460E00	for side entry lamp; with tube, length 400 mm, ϕ 42 mm	108947	2.480	
Ring bolt	 05378E00	M8, direct mounting in insert nuts, 1 pair	115736	0.120	
Breathing gland	 05703E00	M25 x 1.5 in order to avoid condensate formation	115738	0.020	

E2

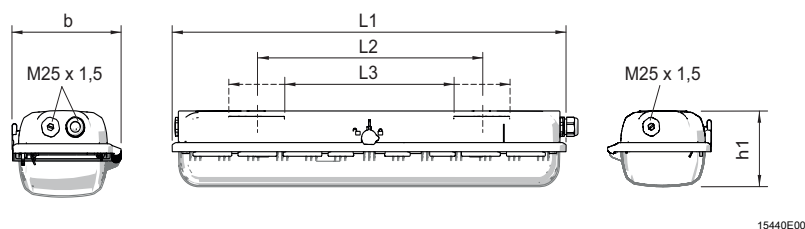
Light Fittings for Fluorescent Lamps

Series EXLUX 6001

Accessories and Spare Parts

Designation	Figure	Description	Art. no.	Weight kg
Ballast	 15587E00	Spare ballast for replacement 1:1		
		6042/923-21; 18 W; 220 ... 240 V; 1xDC	117594	1.460
		6042/923-22; 18 W; 220 ... 240 V; 2xDC	117593	1.400
		6042/943-21; 36 W; 220 ... 240 V; 1xDC	117596	1.400
		6042/943-22; 36 W; 220 ... 240 V; 2xDC	117595	1.400
		6042/963-21; 58 W; 220 ... 240 V; 1xDC	117597	1.450
		6042/963-22; 58 W; 220 ... 240 V; 2xDC	117598	1.400
		6042/913-22; 18 W; 110 ... 240 V; 2xDC	202164	1.550
6042/983-22; 36 W; 110 ... 240 V; 2xDC	202165	1.550		

Dimension Drawings (All Dimension in mm [Inch]) - Subject to Alternations



Dimension	Light		
	17/18 W	32/36 W	40/58 W
L1	700 [27,56]	1310 [51,57]	1610 [63,39]
L2 ¹⁾	400 [15,75]	800 [31,50]	800 [31,50]
L3 ²⁾	320 ... 480 [12,60 ... 18,90]	670 ... 930 [26,38 ... 36,61]	670 ... 930 [26,38 ... 36,61]
b	184 [7,24]	184 [7,24]	184 [7,24]
h1	125 [4,92]	125 [4,92]	125 [4,92]

¹⁾ fixed mounting distance

²⁾ variable mounting distance

EXLUX 6001 Standard Light

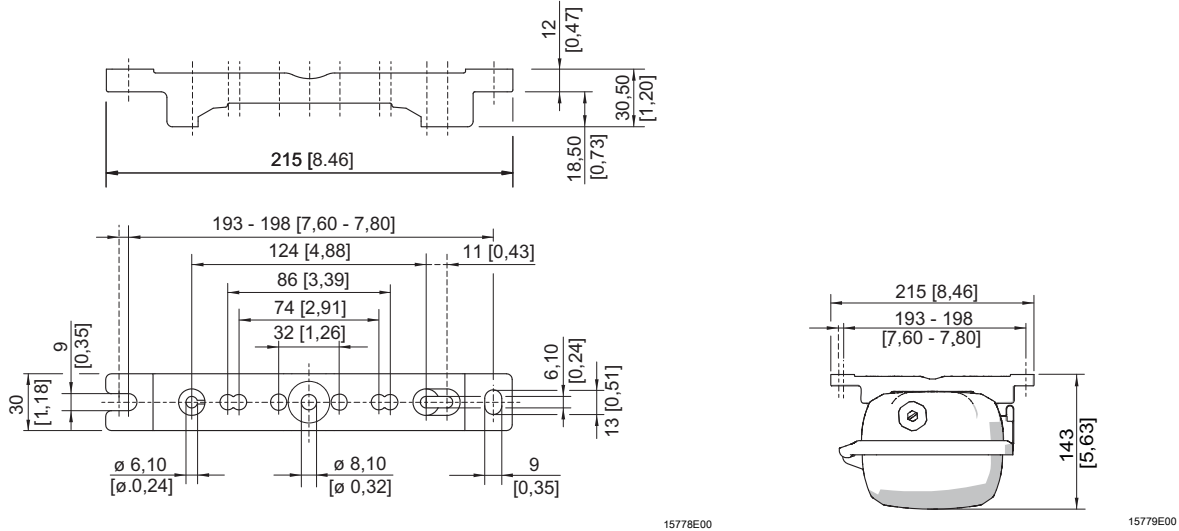
Light Fittings for Fluorescent Lamps

Series EXLUX 6001

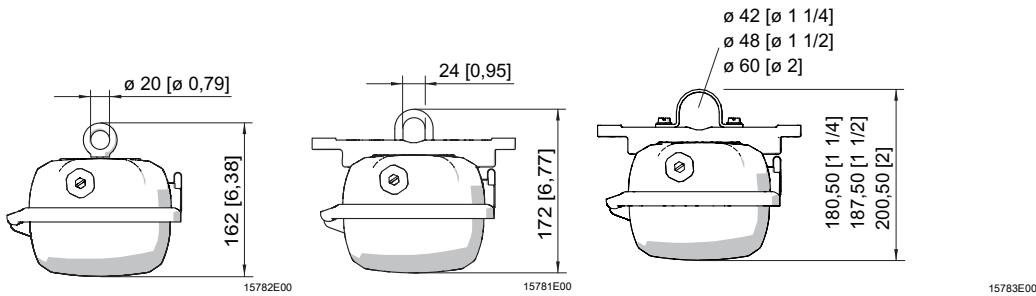


Dimension Drawings for Assembly Parts and Accessories (All dimensions in mm [Inch]) - Subject to Alternations

E2



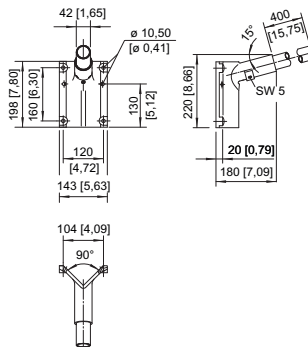
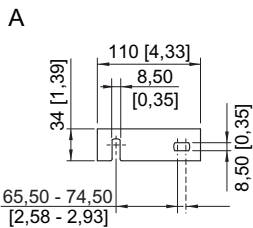
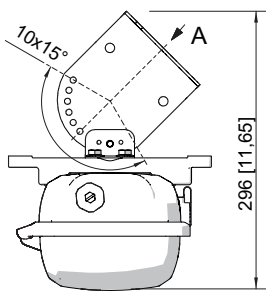
Mounting rail



Ring bolt fitted in the insert nuts of the light

Mounting bracket fitted in the mounting rail

Pipe clamp fitted in the mounting rail



Wall mounting bracket fitted in the mounting rail

Bracket for wall mounting with pipe section

We reserve the right to make alterations to the technical data, dimensions, weights, designs and products available without notice. The illustrations cannot be considered binding.

