

LED sightglass light fittings completely in stainless steel for use in hazardous areas

Series EdelEx d LED



Sightglass light fitting type EdelEx d LED Sch K1, ca. 5 W, 100 - 240 V, Ex d IIC T6, Ex tD A21 IP65 T80°C, Ex II 2 G + D, mounted onto circular sightglass to DIN 28120, PN 10, DN 125.



Sightglass light fitting type EdelEx d LED R50 K1, ca. 2 W, 24 V, Ex d IIC T6, Ex tD A21 IP65 T80°C, Ex II 2 G + D, with intermediate flange collar fixation "R", mounted onto a screwed sightglass similar to DIN 11851, PN 6, DN 50.

Equipped with state-of-the-art LED technology, with an uncompromising design and the reputed MAX MÜLLER quality, the series EdelEx LED offers to the fabricators and users of all stainless steel process equipment the following important advantages:

For the purchasing department:

- **Highly competitive prices** due to compact value-engineered design and highly efficient manufacturing techniques
- **Short lead times**

For the design or plant engineer:

- Versatile design enabling the light fittings to be used either as a combination "view and light through one assembly", or for separate mounting in a two port system from DN 25 upwards depending on the type of sightglass
- **Easy installation** with two fixing systems (flange collar "R" or tilting hinge "Sch" / "Sch 1"), meeting all applications on:
 - Circular sightglasses to DIN 28120/28121 or similar
 - Screwed sightglasses similar to DIN 11851
 - Metal fused sightglasses
 - Pipeline flow indicators for pipelines
- Certified to ATEX in the groups G (zones 1 and 2) and D (zones 21 and 22)
- **Brilliant illumination** due to wattages up to ca. 5 W (see overleaf)
- Light units may be **installed without restriction in any position**
- **Particularly designed for the powerful lighting out of stainless steel vessels, reactors, mixers, fermentors, containers and related process equipment in hazardous areas** in the pharmaceutical, bio-chemical, chemical, cosmetic and food processing industries
- For **sterile and "clean rooms" applications**
- Very long **life span** (approximately 40'000 operating hours)
- Insensitive to vibrations
- **UV-free and cold** light output, avoiding undesired heat emissions to temperature-sensitive media
- Homogeneous and high-contrast illumination
- Admitted for ambient temperatures from - 20 °C to + 40 °C

For the maintenance electrician:

- Connection to different supply voltages possible (see overleaf)
- **Easy replacement** of the light source

Operating conditions:

Completely **independent** of internal vessel pressure and vacuum. There is **no restriction** on the mounting position of the light fitting.

Electrical data:

See overleaf.

Enclosure protection degree:

IP 65, dust and water jet tight to EN 60529 / DIN VDE 0470 part 1.

Construction and materials:

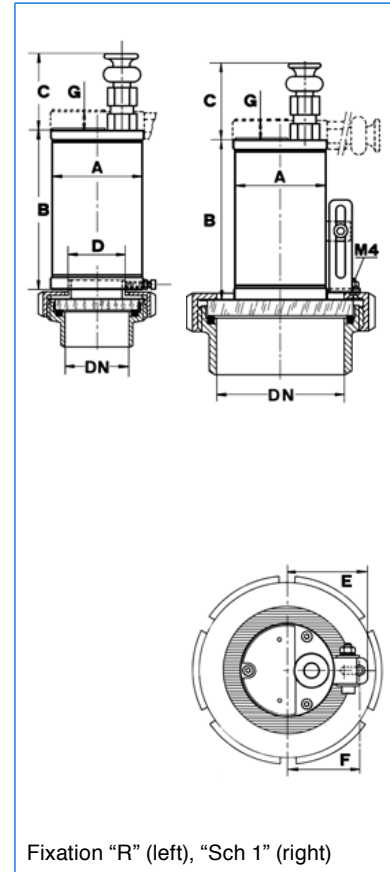
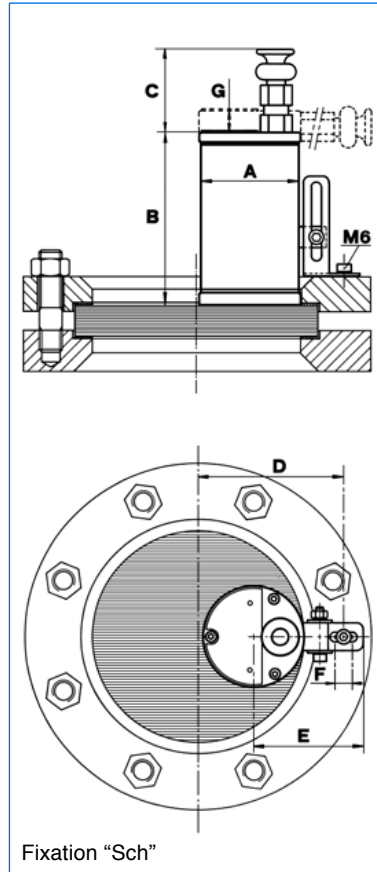
Housing and fixation elements in **stainless steel**. Cable gland M16, in vertical position, type designation "K1", (standard delivery) or in horizontal position (designation "K2"). Connection terminals up to 2,5 mm². Additional earth terminal 4 mm² external to the housing. Built-in LED module.

Type designation	EdelEx d LED	EdelEx d LED
Nominal rating (W)	2	5
Terminal voltage without transformer (AC / DC) (V)	24	100-240
Light source	LED	
Socket	-	GU10
Weight ¹⁾ (kg)	1,65	1,8
Ignition protection type to EN 60079-0/60079-1 EN 61241-0/61241-1	Ex d Ex tD A21 IP65	
Explosion group	IIC	
Temperature class G / D ²⁾	T6 / T80°C	
ATEX	Ex II 2 G + D	

¹⁾ The indicated weight only refers to the light fitting.
Weight of the fixations: "Sch / Sch 1": 0,06 kg, "R": 0,08 kg
²⁾ T_a = - 20°C / + 40°C (T_a up to + 60°C on request)

Mounting:

- On circular sightglasses to or similar to DIN 28120/28121:
DN 25 – DN 200: With tilting hinge "Sch"
- On screwed sightglasses similar to DIN 11851:
DN 50 / DN 65: With intermediate flange collar "R" in AISI 304 (DN size should be specified on ordering)
From DN 80: With tilting hinge "Sch 1" onto the grooved collar nut
- On pipeline flow indicators:
With tilting hinge "Sch 1" or specific customer adaptation



Sightglasses to DIN 28120

DN	A	B	C	D	E	F	G
50	77	128	63	67	81	12	13
80	77	128	63	77	81	12	13
100	77	128	63	90	81	12	13
125	77	128	63	102	81	12	13
150	77	128	63	115	81	12	13
200	77	128	63	140	81	12	13

Sightglasses similar to DIN 11851

DN	A	B	C	D	E	F	G
50	77	128	63	44	59	-	13
65	77	128	63	44	59	-	13
80	77	128	63	-	59	47	13
100	77	128	63	-	59	57	13
125	77	128	63	-	59	69	13
150	77	128	63	-	59	82	13

Branch office / exclusive agent:

Do you wish for more information about our wide range of light fittings for use in hazardous and safe areas, about our range of circular sightglasses to DIN 28120/28121, screwed sightglasses similar to DIN 11851, rectangular or D-ended sightglasses, pipeline flow indicators, centrally or sideways operated wipers, hinged sightglasses, spraying devices, camera systems for hazardous areas or our complete sight and lightglass units VETROLUX®? Are you interested in other types, special versions or different protection degrees? If yes, please contact us, our branch office or our local agents – it is our business! You will find the necessary indications about our sales network on the Internet.

All dimensions in mm.

Subject to changes without preliminary notice.



MAX MÜLLER AG

PROCESS ILLUMINATION AND VISUAL OBSERVATION SYSTEMS

Hagmattstrasse 19 • CH - 4123 Allschwil / Switzerland

Telephone +41 61 487 92 92 • Telefax +41 61 487 92 99

www.maxmuellerag.com E-Mail: blt@maxmuellerag.com