

Linear luminaire sheet steel for fluorescent lamps

Series 6012/11



E2

www.stahl.de



- > For use in Zones 1 & 2, 21 & 22
- > Extra flat version for low mounting depth
- > In 2- or 4-lamp version
- > Powder-coated sheet-steel or stainless steel
- > Central lock
- > All-pole disconnection when the lamp is opened



17234E00

Series 6012 light fittings are preferred for use in spraying and painting installations.

Zone	ATEX / IECEx					
	0	1	2	20	21	22
For use in		x	x		x	x

WebCode 6012B

Linear luminaire sheet steel for fluorescent lamps

Series 6012/11

Selection Table

Version	Cable glands	Number of lamps	Lamp wattage W	Material	Order number
Linear Luminaire Sheet Steel for Fluorescent Lamps Series 6012/11	3 x M25	2	18	Sheet steel	6012/1112-2951-1100-11
			18	Stainless steel	6012/1112-2951-1100-14
		4	36	Sheet steel	6012/1114-2951-1100-11
			36	Stainless steel	6012/1114-2951-1100-14
		4	58	Sheet steel	6012/1116-2951-1100-11
			18	Sheet steel	6012/1122-4951-1100-11
		4	18	Stainless steel	6012/1122-4951-1100-14
			36	Sheet steel	6012/1124-4951-1100-11
	3 x M20	2	18	Sheet steel	6012/1112-2958-1100-11
			18	Stainless steel	6012/1112-2958-1100-14
		4	36	Sheet steel	6012/1114-2958-1100-11
			36	Stainless steel	6012/1114-2958-1100-14
		4	58	Sheet steel	6012/1116-2958-1100-11
			18	Sheet steel	6012/1122-4958-1100-11
		4	18	Stainless steel	6012/1122-4958-1100-14
			36	Sheet steel	6012/1124-4958-1100-11
4	36	Stainless steel	6012/1124-4958-1100-14		
	58	Sheet steel	6012/1126-4958-1100-11		

Order Number Supplement

Connection terminal	Spring clamp terminal up to 4 mm ²	6012/1 1
	Screw terminal up to 6 mm ²	6012/1 4

Note

The lights are delivered without fluorescent lamps and assembly parts. These parts must be ordered separately!

Explosion Protection

Global (IECEx)

Gas and dust	IECEx BVS 14.0049 Ex d e IIC T4 Gb Ex tb IIIC T80°C Db
--------------	--------------------------------------------------------------

Europe (ATEX)

Gas and dust	BVS 14 ATEX E 078 ⊕ II 2G Ex d e IIC T4 Gb ⊕ II 2D Ex tb IIIC T80°C Db
--------------	------------------------------------------------------------------------------

Certifications and certificates

Certificates	IECEx, ATEX, India (PESO)
--------------	---------------------------

Linear luminaire sheet steel for fluorescent lamps

Series 6012/11



E2

Technical Data

Electrical data

Ballast	6012/1...-...-1...-	6012/1...-...-4...-
Lampstart	Cold start	Cold start
Voltage	220 ... 240 V AC	110 ... 240 V AC
DC voltage in case of ignition	198 ... 264 V DC	104 ... 264 V DC
DC voltage during operation	176 ... 264 V DC	104 ... 264 V DC
Frequency	0 / 50 ... 60 Hz	0 / 50 ... 60 Hz
Lamp operation DC	6012/111...-...-1...-	6012/112...-...-1...-
	1-lamp (standard)	1-lamp (standard)
	6012/112...-...-1...-	6012/112...-...-1...-
	2-lamps (standard)	2-lamps (standard)
Lamp standard	IEC 60081	IEC 60081
Lamp power	18 W, 36 W, 58 W	18 W, 36 W
Nominal current	2 x 18 W: 150 ... 170 mA 2 x 36 W: 300 ... 320 mA 2 x 58 W: 460 ... 500 mA 4 x 18 W: 300 ... 340 mA 4 x 36 W: 600 ... 640 mA 4 x 58 W: 920 ... 1000 mA	2 x 18 W: 170 ... 345 mA 2 x 36 W: 310 ... 660 mA 4 x 18 W: 340 ... 690 mA 4 x 36 W: 620 ... 1320 mA
Power factor cos φ	≥ 0.96	

Ambient conditions

Operating temperature range	-35 ... +60 °C (version 18 W and 36 W) -35 ... +50 °C (version 58 W)
-----------------------------	-------------------------------------------------------------------------

Mechanical data

Degree of protection	IP65 IP64 when using breather 8162 IP66 when using the flushing frame (IEC 60598)
Protection class	I (with internal PE-terminal)
Material	
Enclosure	Sheet-steel, powder-coated, white, similar to RAL 9016 Brushed stainless steel SS304 (V2A 1.4301) Brushed stainless steel SS316L (V4A 1.4404)
Lens	Safety glass
Seal	Foamed silicone seal in luminaire enclosure
Luminaire locking	Central locking; glass cover hinged for access



Mounting / Installation

Cable glands	1x M20/M25 left and 2x M20/M25 right, 1x cable glands and 2 stopping plugs as standard
Connection	Spring clamp terminal up to 4 mm ² 3-pole (2 x L1, 2 x N, 2 x PE) 5-pole (2 x L1, 2 x L2, 2 x L3, 2 x N, 2 x PE)
Through wiring	Screw terminal up to 6 mm ² 3-pole (2 x L1, 2 x N, 2 x PE) 5-pole (2 x L1, 2 x L2, 2 x L3, 2 x N, 2 x PE)
Assembly	Optional (max. 12 A) Wall mounted luminaire M8 threads on both sides of the luminaire for mounting of wall mounting brackets. Recessed light fitting: Variant 1: flushing frame attached to enclosure using M6 screws Variant 2: flushing frame welded to enclosure Note: For both installation versions, the luminaires must either be mounted on the back or the sides of the luminaire using the M8 threads.

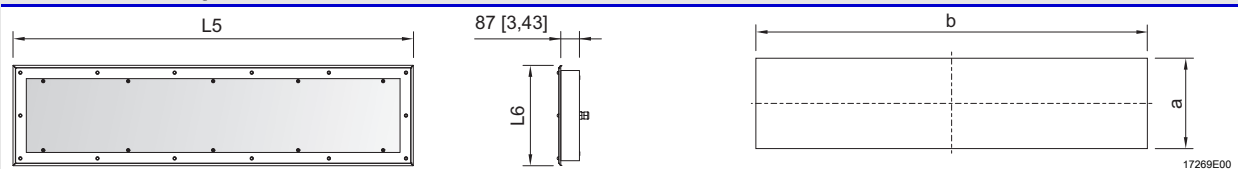
Linear luminaire sheet steel for fluorescent lamps

Series 6012/11

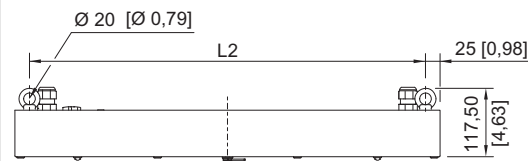
Accessories and Spare Parts

Designation	Figure	Description	Art. no.	Weight kg
Fluorescent lamps		18 W 1350 lm	108952	0.100
		36 W 3350 lm	108951	0.200
		58 W 5200 lm	108950	0.220
Breathing gland		for installation in lights; in moulded material; without counter nut		
		Thread: M25 x 1.5 1 pc	138573	0.010
		Thread: M25 x 1.5 20 pcs	138576	0.200

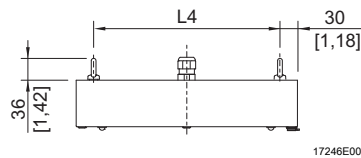
Dimensional Drawings (All Dimensions in mm [inches]) - Subject to Alterations



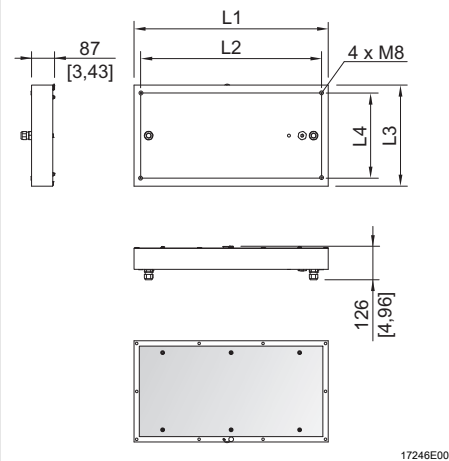
Light Fitting with flushing frame



Mounting Cut-Out



Suspension with ring bolts



Light Fitting with flushing frame

	Number of lamps	18 W	36 W	58 W
L1	2	730	1340	1640
	4	[28.74]	[52.76]	[64.57]
L2	2	670	1280	1580
	4	[26.38]	[50.39]	[62.20]
L3	2	380		
	4	480		
L4	2	320		
	4	420		
L5	2	722	1382	1682
	4	[28.43]	[54.41]	[66.22]
L6	2	422		
	4	522		
a	2	390		
	4	490		
b	2	740	1350	1650
	4	[29,13]	[53,15]	[64,96]

We reserve the right to make alterations to the technical data, dimensions, weights, designs and products available without notice. The illustrations cannot be considered binding.